

COMPANY

INTRODUCTION

公司简介

常州市重科齿轮箱制造有限公司是一家致力于技术、设计开发、生产、机电化经营为一体的综合性企业，主要生产ZLYJ、ZSYJ、高扭矩ZKG系列单螺杆橡胶机械专用减速机，SZ锥形双螺杆橡胶机械专用减速机，密炼、开炼、压延机械专用减速机，R系列斜齿轮减速机、F系列平行轴斜齿轮减速机、K系列斜齿轮弧齿锥齿轮减速机、S系列斜齿轮蜗轮蜗杆减速机。

Changzhou Zhongke Gearboxes Manufacturer Co.,Ltd is a comprehensive enterprise devotes to technology, design and development, produce and electromechanical operation. Mainly products are ZLYJ&ZSYJ series, ZKG high torque series for single screw extruder, SZ series for conical Twin-screw extruder, Special gearboxes for rubber machinery, and R/F/S/K series worm speed reducer.

COMPANY

PRODUCT DESCRIPTION

产品介绍

常州市重科齿轮箱制造有限公司在2016年隆重推出ZKG系列齿轮箱，该系列齿轮箱借鉴意大利齿轮箱的设计理念和办法并加以改进，专为单螺杆挤出机配套设计的硬齿面齿轮传动装置。该系列产品外观新颖美观，结构紧凑合理，噪音指标低，承载能力强，传动效率高，可以满足长期的无故障运行，渗漏油率小，主要零部件寿命大于50000小时，其承载能力与意大利ZPE2系列相当。

Changzhou Zhongke Gearbox Manufacturing Co., Ltd. launched ZKG series gearboxes in 2016. This series of gearboxes borrows the design concepts and methods of the Italian Zambello, and is designed for hard-tooth surface gear transmissions designed for single-screw extruders. This series of products are novel and beautiful in appearance, compact and reasonable structure, low noise index, strong bearing capacity, high transmission efficiency, can meet long-term trouble-free operation, oil leakage rate is small, the life of major components is greater than 50,000 hours, its carrying capacity and Italy ZPE2 series is quite.

■ 箱体

箱体结构在设计时兼顾了吸收噪音的功能，材质采用高品质的铸铁，并进行充分的时效处理，应用先进的加工工艺，从而保证了齿轮箱的高精度以及精度的可保持性。

■ 齿轮

齿轮和轴类材料均采用高品质合金钢材17CrNiMo6,经渗碳淬火后齿面硬度达HRC58-62,经精密磨齿后,磨齿精度可以达到5级以上(GB/T10095-2001),同时进行齿廓和螺旋线修形,以保证齿轮在负载状态下完美啮合,从而实现低噪音和高效率。

■ 轴承

轴承一般选用国内与国际知名品牌如ZWZ、HRB、LYC、SKF,NSK等(客户也可以指定选用)

■ 油封

油封一般选用进口品牌,如德国的SIMRIT、台湾SOG等(客户也可以指定选用)。

■ CABINET

The design of the box structure takes into account the function of absorbing noise. The material is made of high-quality cast iron, and the full-time treatment is applied. The advanced processing technology is applied to ensure the high precision of the gear box and the maintainability of the precision.

■ GEAR

Gears and shafts are made of high-quality alloy steel 17CrNiMo6. After carburized and quenched, the tooth surface hardness reaches HRC58-62. After precision tooth grinding, the grinding accuracy can reach 5 or more (GB/T10095-2001). The tooth profile and the helix are shaped to ensure perfect engagement of the gears under load, resulting in low noise and high efficiency.

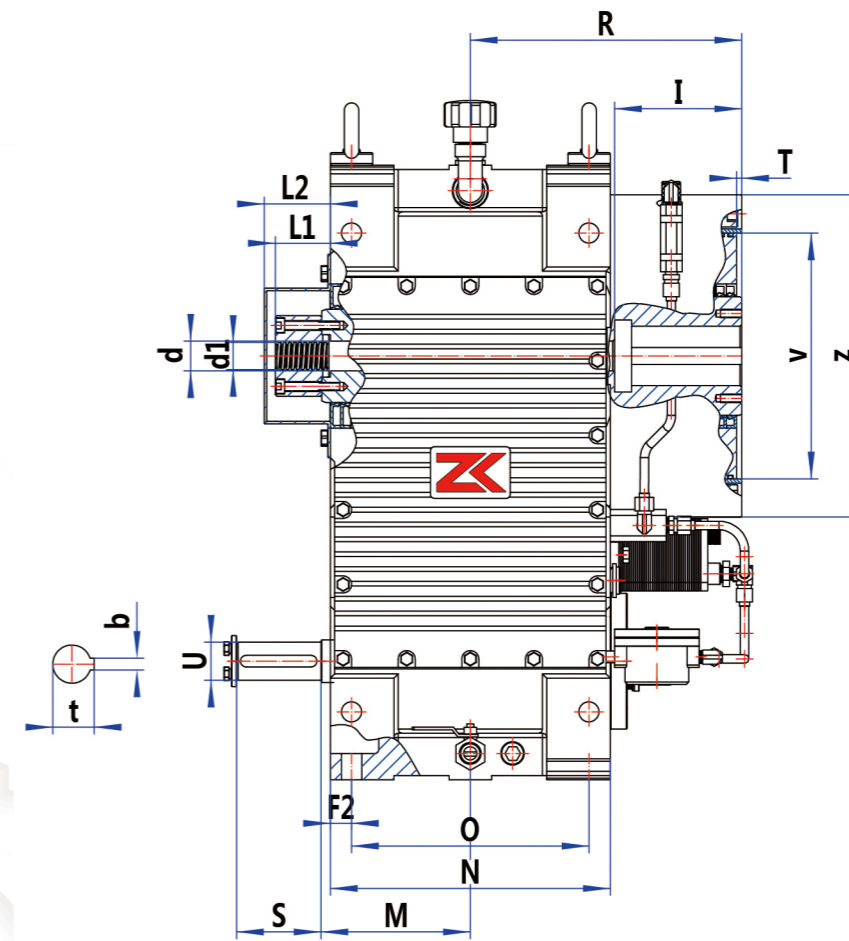
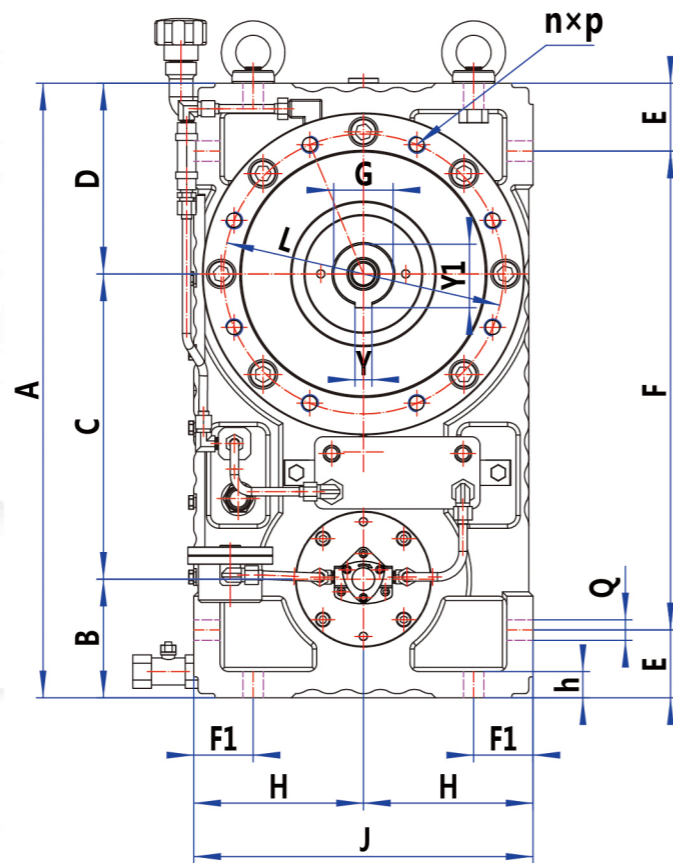
■ BEARINGS

Bearings are generally selected domestic and international famous brands such as ZWZ, HRB, LYC, SKF, NSK, etc. (customers can also specify the choice)

■ OIL SEAL

Oil seals are generally selected from imported brands such as SIMRIT in Germany and SOG in Taiwan (customers can also specify their choice).

ZHONGKE GEARBOX 重科齿轮箱



EXTERNAL DIMENSIONS 外形尺寸

型号 Model	C	外形尺寸 External Dimensions						地脚安装尺寸 Installing dimensions of foundation						输入轴尺寸 Dimension of input shaft				输出轴尺寸 Dimension of output shaft				输出轴尾部尺寸 Dimension of output shaft tail				推力包联接尺寸 Connecting dimensions of thrust block								推力滚子轴承 Thrust roller bearing	重量 weight	油/KG Oil/KG	
		A	B	D	N	J	H/H10	F1	F2	h	Q	E	F	Q	M	S	Um6	b	t	G/H7	Y	Y1	I	d	d1	L1	L2	V/H7	Z	L	T	R	p				n
100	180	355	63	112	164	200	100	40	12	15	140	40	275	12	85	50	22	6	24.8	28	8	31	70	18	T16*4	45	58	140	180	160	5	170	M12	8	29412E	65	4
112	202	407	80	125	196	224	112	42	18	16	160	45	307	14	106	56	24	8	27	32	10	35	90	19	T16*4	45	58	150	200	170	5	180	M12	8	29412E	90	5
125	225	455	90	140	214	250	125	45	17	17	180	50	345	16	114	63	28	8	31	38	10	41	100	24	T20*4	45	58	180	230	205	5	205	M12	8	29415E	120	6
140	252	512	100	160	236	280	140	48	18	18	200	56	390	18	125	70	32	10	35	42	12	45	110	27	T24*4	55	68	200	260	230	5	230	M12	8	29417E	165	8
160	285	577	112	180	266	320	160	50	20.5	21	225	63	439	20	142	80	35	10	38	50	14	53.5	130	29	T24*4	55	68	230	300	260	6	260	M16	8	29420E	230	11
180	320	645	125	200	296	360	180	60	23	25	250	70	492	22	158	90	40	12	43	60	18	64	140	34	T24*4	55	68	260	350	300	6	290	M20	8	29424E	340	15
200	360	725	140	225	330	400	200	70	25	31	280	80	565	24	176	100	45	14	48.5	70	20	74.5	150	44	T32*6	65	78	290	380	330	6	320	M20	8	29428E	490	19
225	405	795	140	250	360	450	225	80	22.5	36	315	90	615	27	192	112	50	14	53.5	80	22	85	160	55	T50*8	65	78	310	400	350	6	355	M20	12	29430E	630	25
250	450	890	160	280	407	500	250	90	26	40	355	100	690	30	216	125	55	16	59	90	25	95	170	55	T50*8	70	88	365	450	400	8	405	M24	12	29434E	920	35
280	505	1000	180	315	460	560	280	100	30	48	400	112	776	33	242	140	60	18	64	100	28	106	190	60	T50*8	70	88	400	520	450	8	445	M24	12	29436E	1300	45
320	570	1125	200	355	520	630	315	112	35	54	450	125	875	36	273	160	70	20	74.5	110	28	116	200	60	T50*8	80	98	450	600	500	8	490	M24	12	29440E	1850	80
360	640	1265	225	400	580	710	355	125	40	55	500	140	985	39	302	180	80	22	85	125	32	132	210	80	T60*8	80	98	520	680	600	10	560	M30	12	29452E	2650	115
400	720	1420	250	450	650	800	400	140	45	60	560	160	1100	42	340	200	90	25	95	140	36	148	220	80	T60*8	80	98	600	750	680	10	640	M36	12	29456E	3800	145
450	810	1590	280	500	740	900	450	150	55	65	630	180	1232	44	390	225	100	28	106	160	40	169	240	80	T60*8	80	98	700	870	780	12	720	M36	16	29468E	5450	220

